



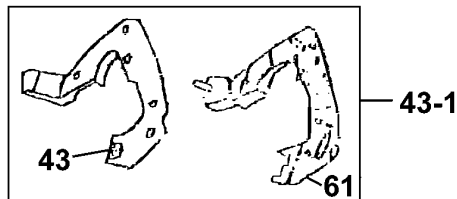
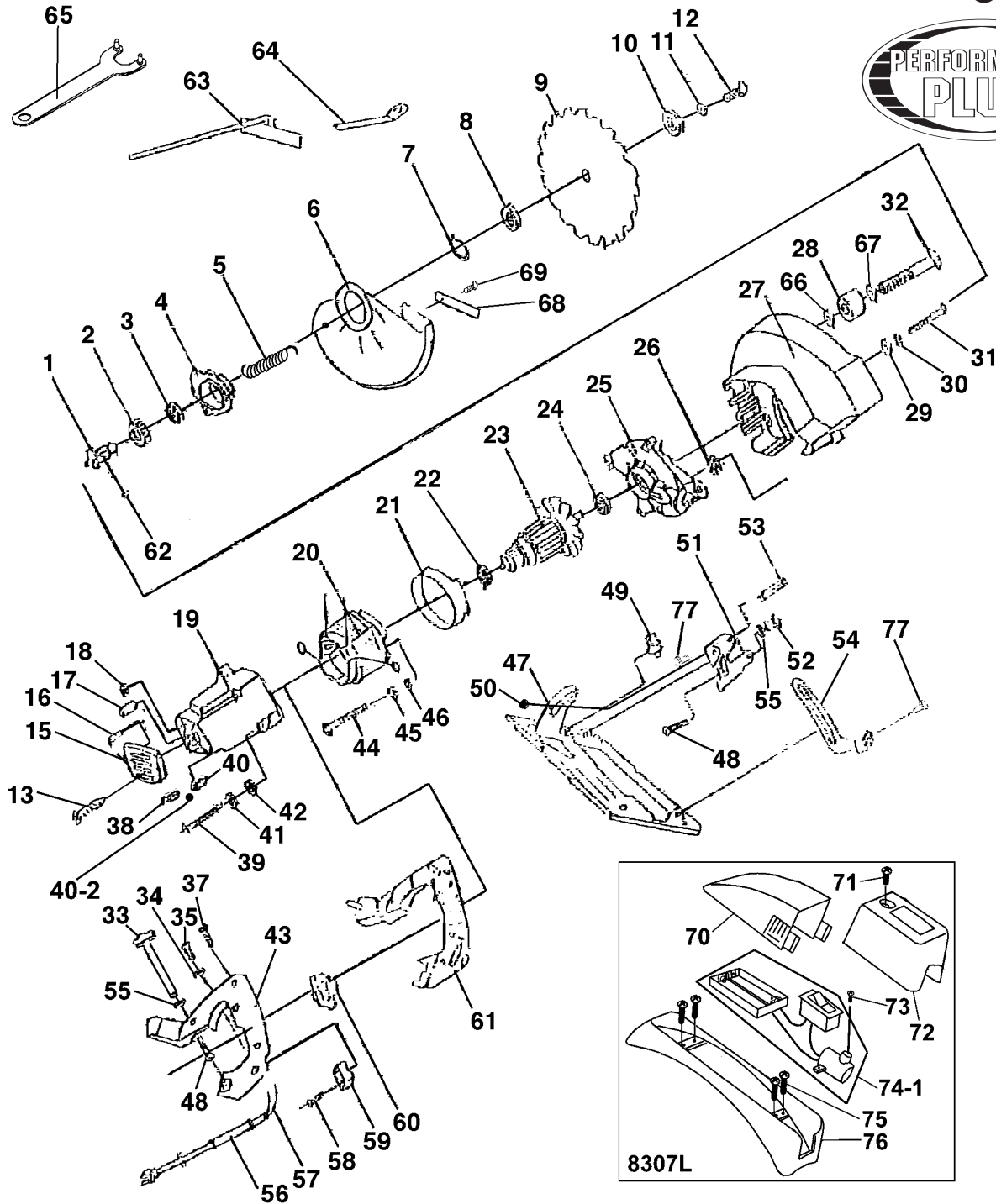
Service Manual / Manuel de Service

7 1/4" Circular Saw with Laser  
Scie Circulaire 7 1/4" avec Laser



Revised/Revisé 08/2008

8307L





## Parts Pricing List / Liste de Prix des Pièces

# 8307L

Diag.	Order # Com.	English Description	Description Française	Qty./Qté.	Price/Prix
1	4983070010	SPINDLE	ARBRE	1	\$9.03
2	4983070020	GEAR	ENGRENAGE	1	\$10.98
3	4983070030	BALL BEARING	ROULEMENT A BILLES	1	\$12.59
4	4983070040	BEARING HOUSING	BOITIER DU ROULEMENT	1	\$5.46
5	4983070050	RETURN SPRING	RESSORT DE RETOUR	1	\$4.43
6	4983070060	MOVABLE BLADE GUARD	PROTECTEUR DE LA LAME MOBILE	1	\$17.08
7	4983070070	RETAINING RING/SHAFT	ANNEAU DE RETENUE/TIGE	1	\$2.82
8	4983070080	BLADE FLANGE (INSIDE)	BRIDE DE LA LAME (INTERIEUR)	1	\$4.43
9	KSC-724T	BLADE	LAME	1	-
10	4983070100	BLADE FLANGE (OUTSIDE)	BRIDE DE LA LAME (EXTERIEUR)	1	\$3.74
11	4983070110	WASHER	RONDELLE	1	\$1.67
12	4983070120	HEX. BOLT	BOULON HEXAGONAL	1	\$1.67
13	4983070130	TAPPING SCREW	VIS AUTOTARAUDEUSE	2	\$1.90
15	4983070150	REAR HOUSING COVER	COUVERCLE DU BOITIER (ARRIERE)	1	\$6.04
16	4983070160	BRUSH HOLDER BRACKET	SUPPORT DU PORTE BALAIS	2	\$1.78
17	4983070170	BEARING HOLDER	SUPPORT DU ROULEMENT	1	\$2.24
18	4983070180	HEX. NUT	ECROU HEXAGONAL	2	\$1.55
19	4983070190	MOTOR HOUSING	BOITIER DU MOTEUR	1	\$22.94
20	4983070200	FIELD COIL	BOBINE D'ENTRAINEMENT	1	\$32.60
21	4983070210	FAN GUIDE	GUIDE DU VENTILATEUR	1	\$4.77
22	4983070220	BALL BEARING	ROULEMENT A BILLES	1	\$14.55
23	4983070230	ARMATURE	ARMATURE	1	\$34.44
24	4983070240	BALL BEARING	ROULEMENT A BILLES	1	\$12.59
25	4983070250	GEAR HOUSING	BOITIER DE L'ENGRENAGE	1	\$13.40
26	4983070260	BALL BEARING	ROULEMENT A BILLES	1	\$13.74
27	4983070270	UPPER BLADE GUARD	PROTECTEUR DE LA LAME (HAUT)	1	\$27.43
28	4983070280	STOPPER	AMORTISSEUR	1	\$2.24
29	4983070290	WASHER	RONDELLE	2	\$1.61
30	4983070300	SPRING WASHER	RONDELLE A RESSORT	2	\$1.55
31	4983070310	PAN HD. SCREW	VIS A TETE BOMBEE	2	\$1.67
32	4983070320	PAN HD. SCREW	VIS A TETE BOMBEE	1	\$1.78
33	4983070330	LOCK HANDLE	POIGNEE DE VERROUILLAGE	1	\$5.58
34	4983070340	WASHER	RONDELLE	6	\$1.55
35	4983070350	PAN HD. SCREW	VIS A TETE BOMBEE	2	\$1.73
37	4983070370	PAN HD. SCREW	VIS A TETE BOMBEE	3	\$1.67
38	4983070380	CARBON BRUSH SET (2)	JEU DE BALAI AU CARBONE (2)	1	\$14.43
39	4983070390	PAN HD. SCREW	VIS A TETE BOMBEE	4	\$2.19
40	4983070400	BRUSH HOLDER	PORTE BALAI	2	\$4.43
40-2	4983070402	BRUSH HOLDER CAP	CAPUCHON DES BALAIS	2	\$2.70
41	4983070410	SPRING WASHER	RONDELLE A RESSORT	4	\$1.55
42	4983070420	WASHER	RONDELLE	4	\$1.55
43	4983070430	HANDLE (LEFT)	POIGNEE (GAUCHE)	1	\$11.10
43-1	4983070431	PAIR OF BLACK HANDLES (43 & 61)	PAIRE DE POIGNEE NOIR (43 & 61)	1	\$20.64
44	4983070440	PAN HD. SCREW	VIS A TETE BOMBEE	2	\$3.05
45	4983070450	SPRING WASHER	RONDELLE A RESSORT	2	\$1.55
46	4983070460	WASHER	RONDELLE	2	\$1.55
47	4983070470	WORKING TABLE	TABLE DE TRAVAIL	1	\$19.38

Pricing subject to change without prior notice. / Prix sujet à changement sans préavis.



## Parts Pricing List / Liste de Prix des Pièces

# 8307L

Diag.	Order # Com.	English Description	Description Française	Qty./Qté.	Price/Prix
48	4983070480	CARRIAGE BOLT	BOULON A CARROSSERIE	2	\$2.70
49	4983070490	SCREW KNOB (FRONT)	BOUTON VISSE	1	\$2.24
50	4983070500	NYLON HEX. NUT	ECROU HEXAGONAL AVEC NYLON	1	\$0.00
51	4983070510	TABLE BRACKET (FRONT)	SUPPORT DE LA TABLE	1	\$5.23
52	4983070520	WING KNOB	BOUTON PAPILLON	1	\$2.59
53	4983070530	PAN HD. SCREW	VIS A TETE BOMBEE	1	\$2.47
54	4983070540	ELEVATING BRACKET (REAR)	SUPPORT D'ELEVATION (ARRIERE)	1	\$6.15
55	4983070550	WASHER	RONDELLE	2	\$1.61
56	4983070560	CORD PROTECTOR	PROTEGE CORDON	1	\$3.28
57	4983070570	POWER CORD	CORDON D'ALIMENTATION	1	\$16.04
58	4983070580	PAN HD. SCREW	VIS A TETE BOMBEE	2	\$1.73
59	4983070590	WIRE HOLDER	RETENEUR DE FIL	1	\$2.24
60	4983070600	SWITCH	INTERRUPTEUR	1	\$13.63
61	4983070610	HANDLE (RIGHT)	POIGNEE	1	\$11.10
62	4983070620	KEY	CLE DE RETENUE	1	\$1.78
63	4983070630	WORKING GUIDE	GUIDE DE TRAVAIL	1	\$9.14
64	4983070640	HEX. WRENCH	CLE HEXAGONALE	1	\$4.54
65	4983070650	LOCK WRENCH	CLE DE VERROUILLAGE	1	\$6.04
66	4983070660	PLASTIC WASHER	RONDELLE EN PLASTIQUE	1	\$1.50
67	4983070670	WASHER	RONDELLE	1	\$1.55
68	4983070680	GUARD HANDLE	POIGNEE DU GARDE	1	\$3.85
69	4983070690	PAN HD. SCREW	VIS A TETE BOMBEE	2	\$1.55
70	4983070700	BATTERY COVER	COUVERCLE DES PILES	1	\$3.74
71	4983070710	PAN HD. SCREW	VIS A TETE BOMBEE	1	\$1.67
72	4983070720	SWITCH HOUSING	BOITIER DE L'INTERRUPTEUR	1	\$4.54
73	4983070730	LASER ADJUST. SCREW	VIS D'AJUSTEMENT DU LASER	1	\$1.55
74-1	4983070741	SWITCH & LASER ASSEMBLY	INTERRUPTEUR & LASER ASSEMBLE	1	\$14.78
75	4983070750	PAN HD. SCREW	VIS A TETE BOMBEE	4	\$1.78
76	4983070760	BASE	SOCLE	1	\$6.84
77	4983070770	RIVET	RIVET POUR SUPPORT	2	\$1.90
555-5	4983075555	HARDWARE BAG	SAC ACCESSOIRES	1	\$18.34
	498307MBIL	BILINGUAL MANUAL 8307L	MANUEL BILINGUE 8307L	1	\$15.00